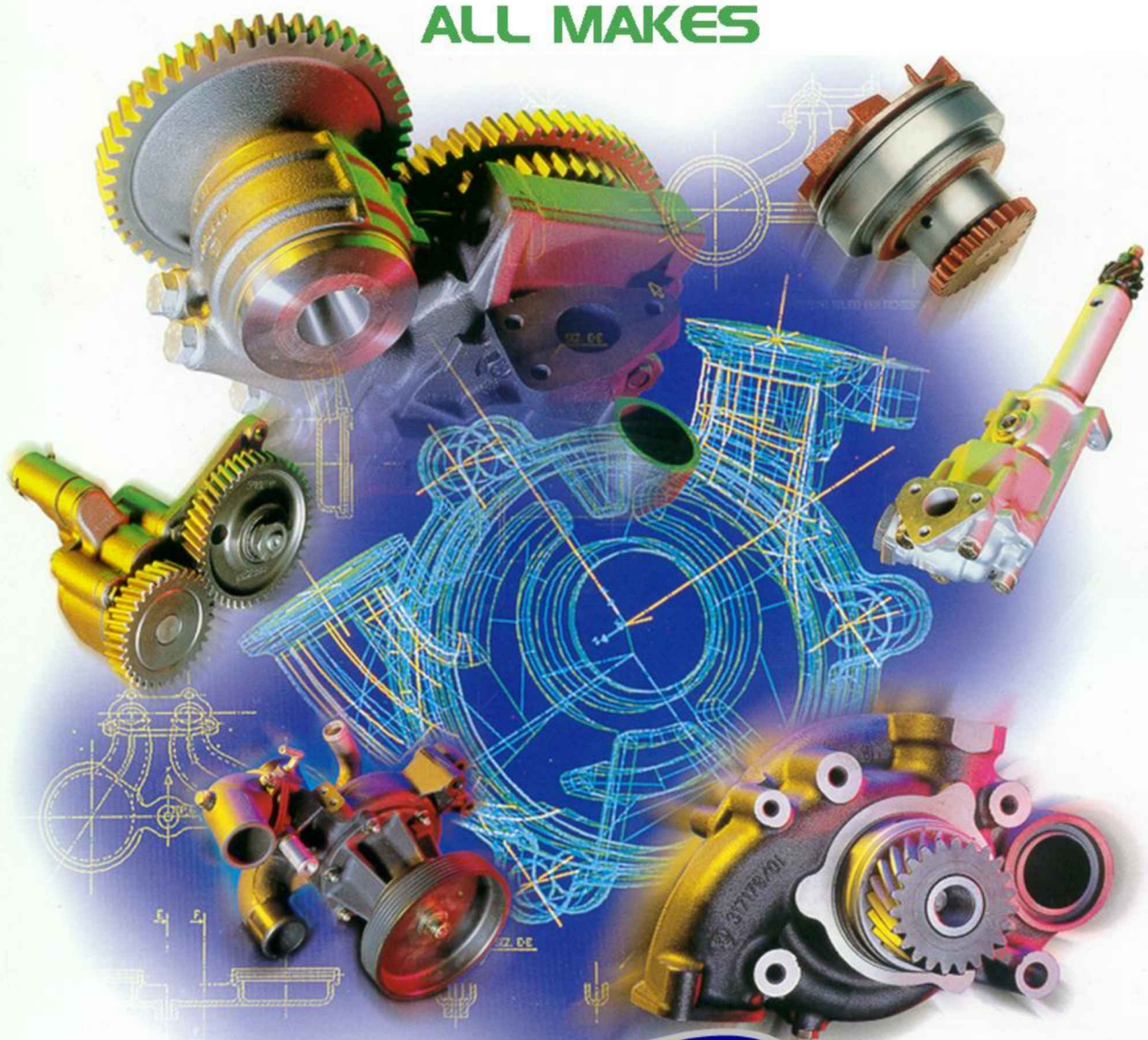


WATER PUMP CATALOGUE

TRUCK & BUS SECTION

ALL MAKES



SINERT



S.P.

WATER PUMPS

WEB EDITION

S.P. WATER PUMPS LTD

18 Tatton Court, Kingsland Grange, Woolston,
Warrington, Cheshire. ENGLAND. WAI 4RR

TEL: +44(0)1925 850082 FAX: +44(0)1925 850083

Email:sales@spwaterpumps.co.uk Web Site:www.spwaterpumps.co.uk



SECTION 32

APPLICATION

MANITOU

**WATER PUMPS WASSERPUMPEN
POMPE A EAU BOMBA DE AGUA
POMPA ACQUA**

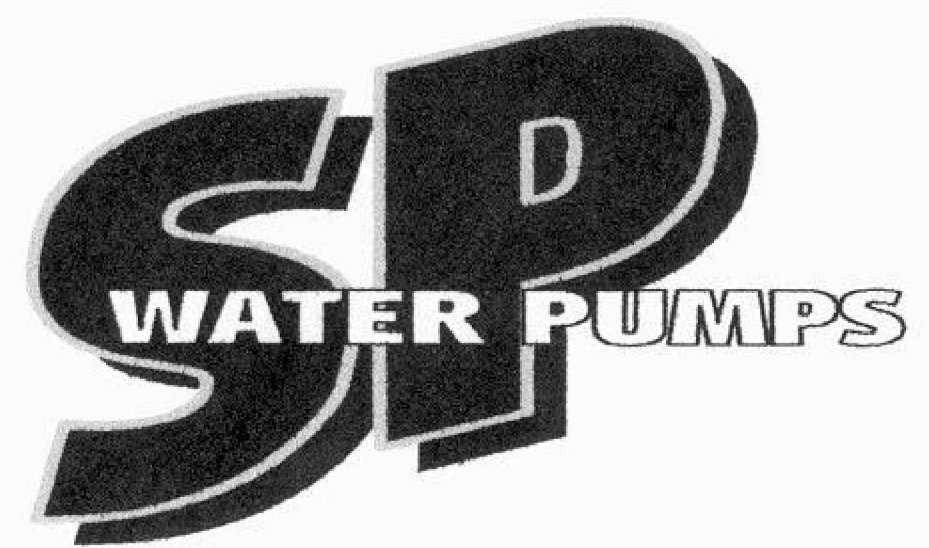
**S.P. WATER PUMPS LTD
18 Tatton Court, Kingsland Grange, Woolston,
Warrington, Cheshire. ENGLAND. WAI 4RR
TEL: +44(0) 1925 850082 Fax: +44(0) 1925 850083
Email:sales@spwaterpumps.co.uk Web Site:www.spwaterpumps.co.uk**

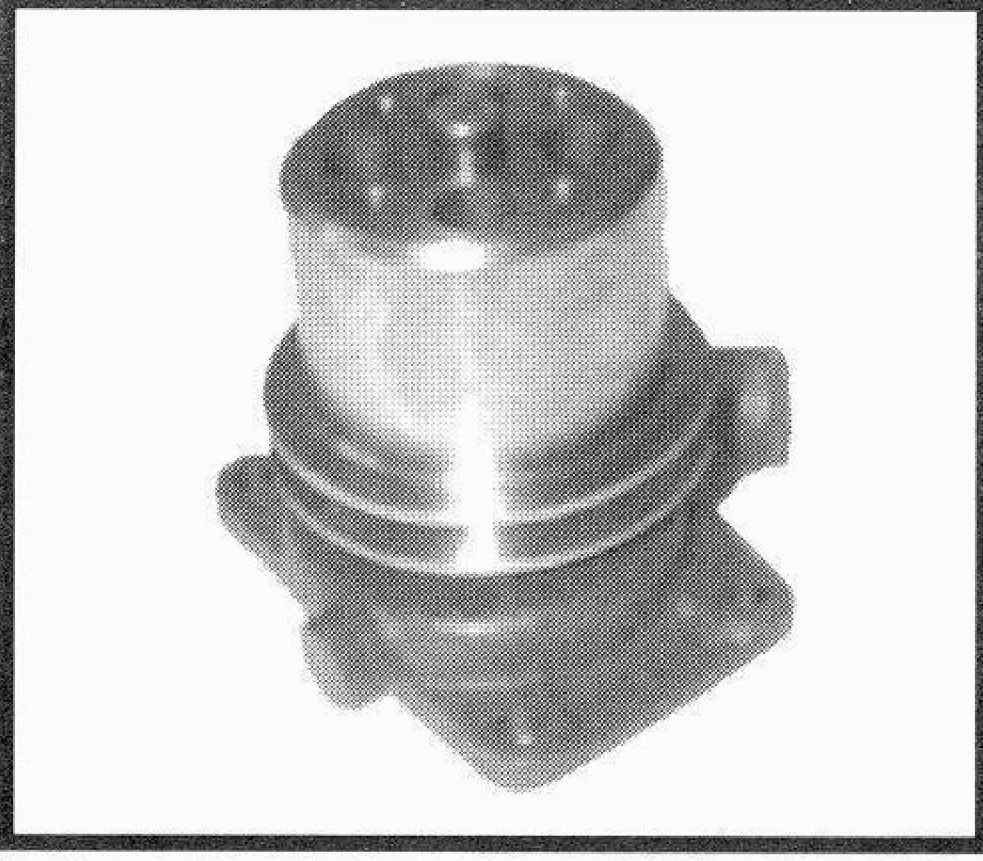
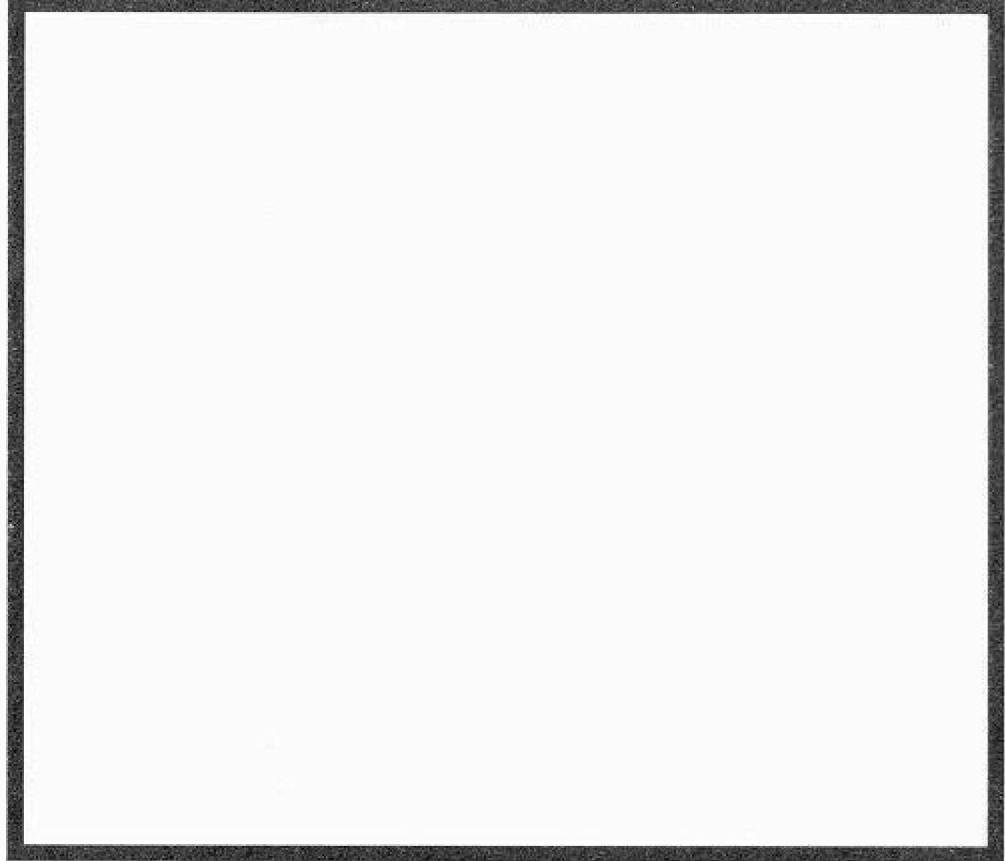
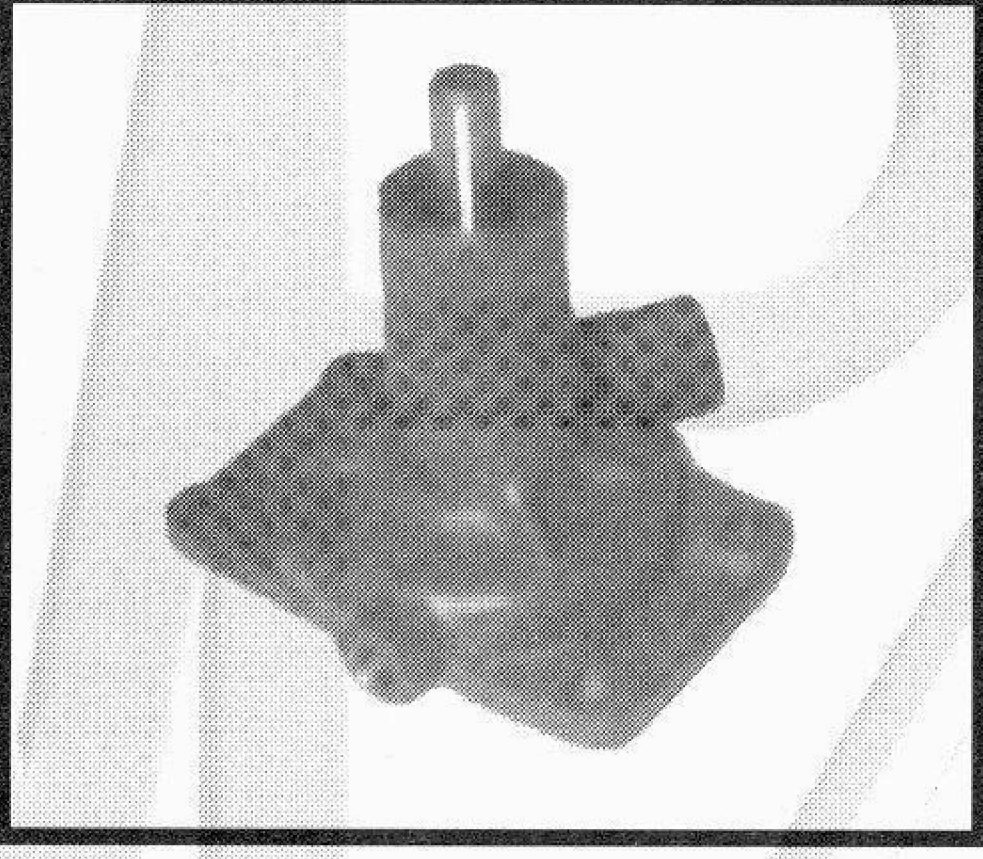
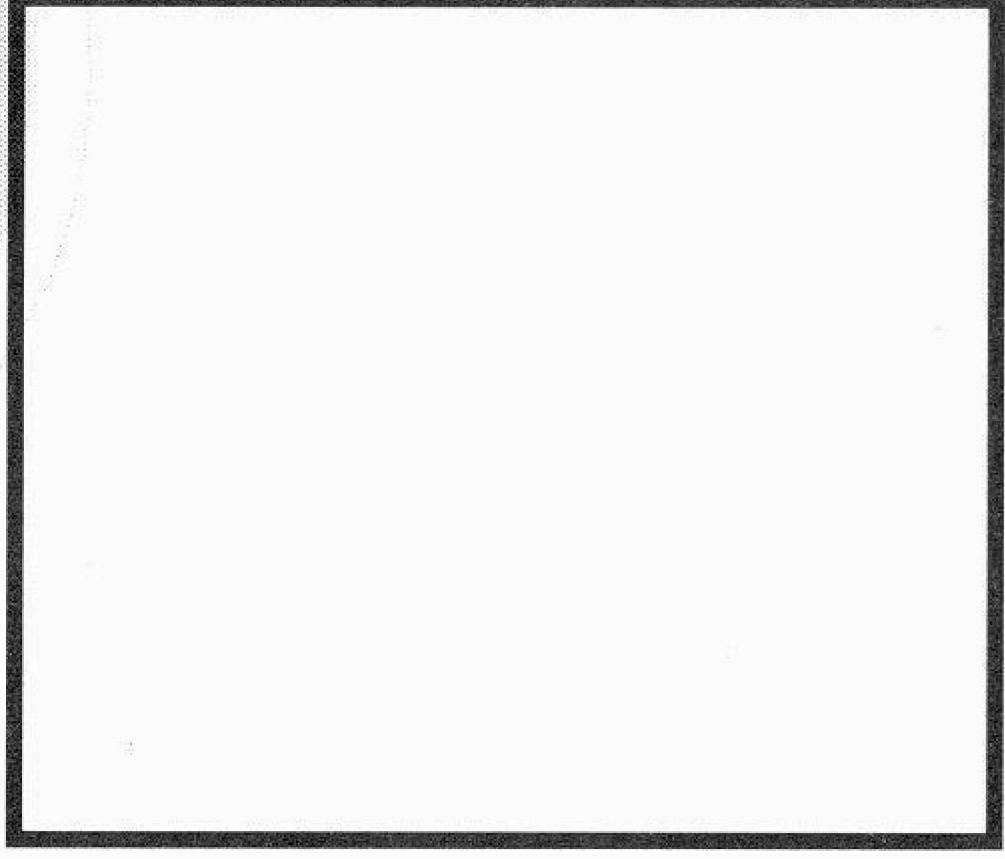
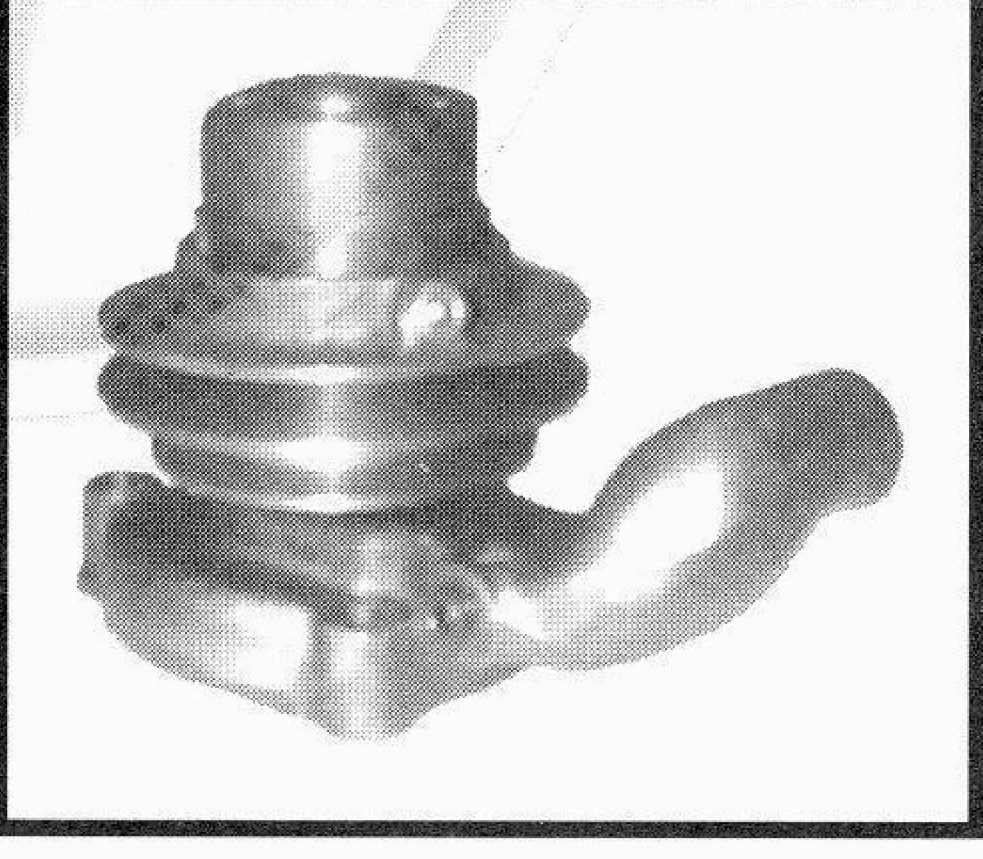
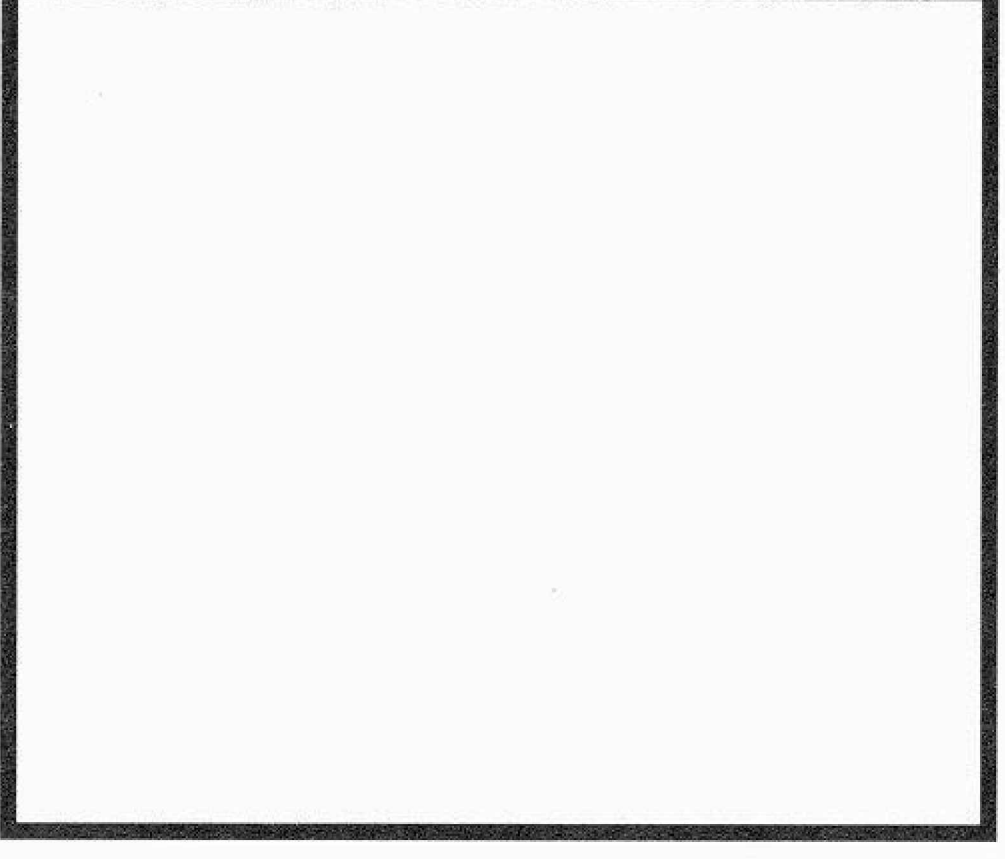
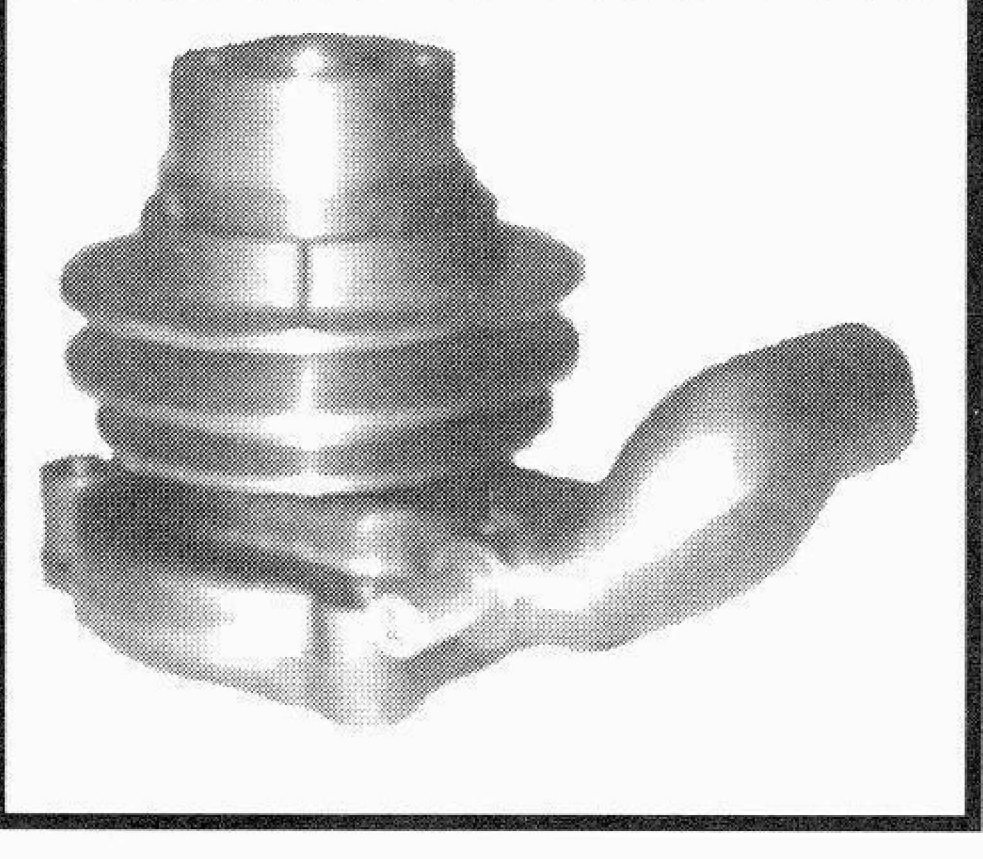

SUITABLE

MANITOU

Tel: +44(0)1925 850082 Fax: +(0)44 1925 850083

www.spwaterpumps.co.uk



TIPO O MODELLO TYPE OU MODELE TYPE OR MODEL	MOTORE MOTEUR ENGINE	POMPA ACQUA POMPE A EAU WATER PUMP	KIT RIPARAZIONE NECESSAIRE DE REP. REPAIR KIT
		OMP REF. / O.EM. REF	OMP REF. / O.EM. REF
	D 212 - D 214 D 215 - D 217 D 219 - D 320 D 322 - D 324 D 326 - D 430 D 432 - D 436 D 439 - D 440 Engines by Germany	351.020 126.208 	352.167 127.527 
	Serie D Engines by France	351.030 126.780 	352.167 127.527 
	BD 154 con dinamo with dynamo	351.040 49.190 	352.165 49.019 
	BD 154 con alternatore with alternator	351.050 49.297 	352.165 49.019 

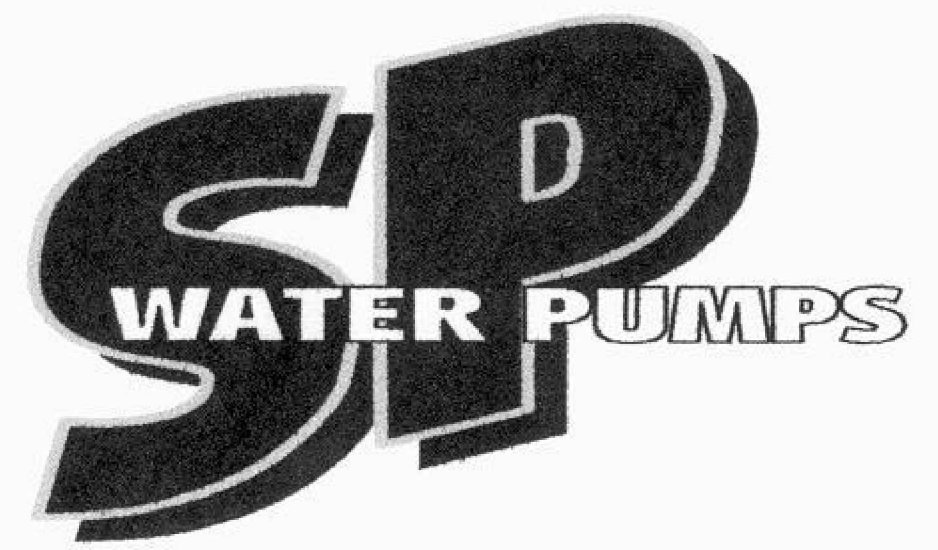
I ricambi non sono originali ma adattabili . Ogni riferimento originale é assolutamente indicativo .
 Spare parts are not original but perfectly suitable . Every original part number has to be considered for reference purpose only .

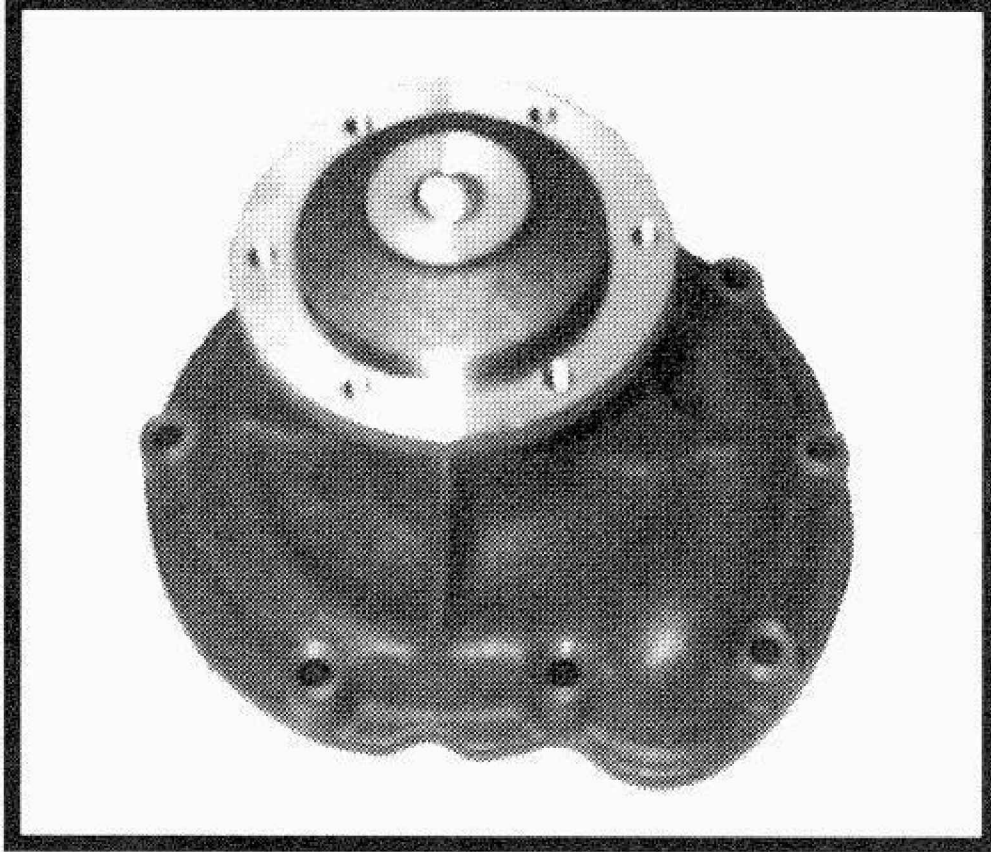
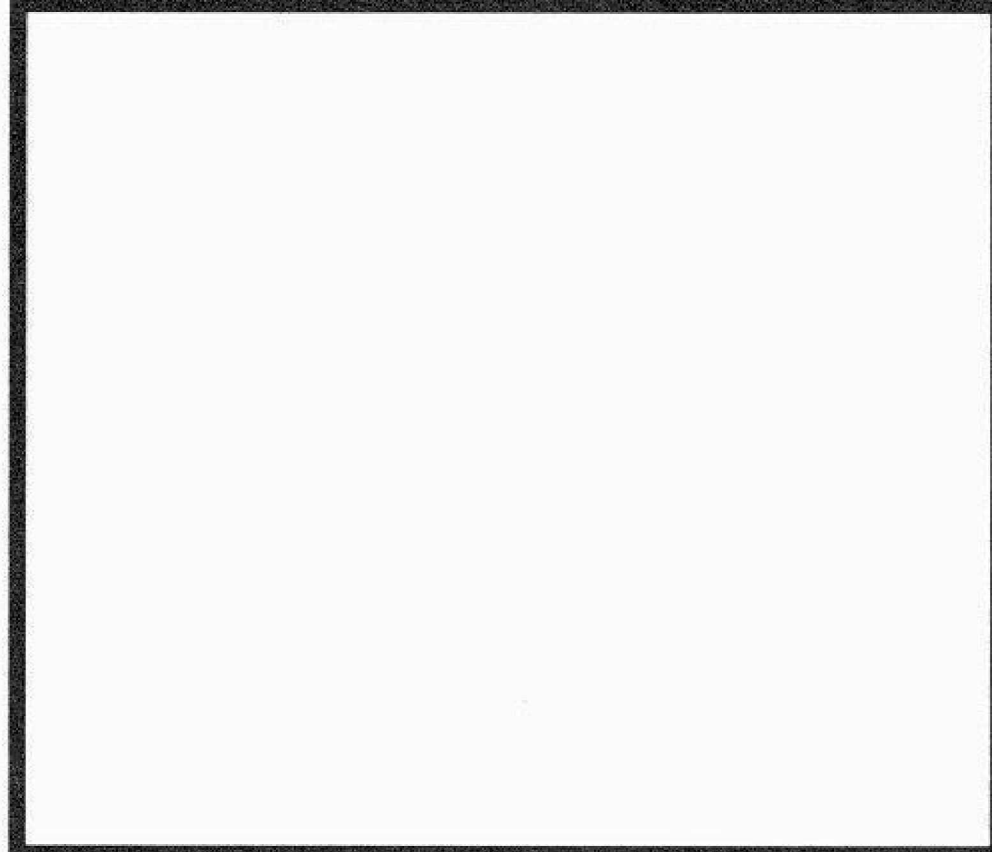
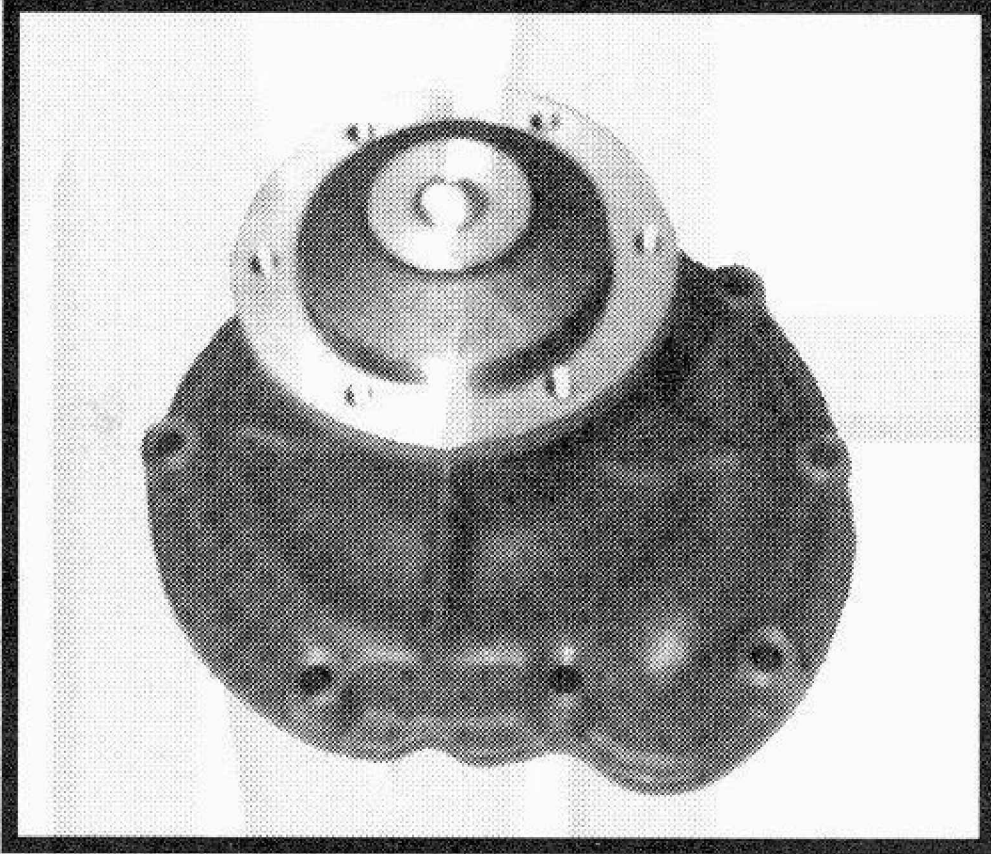
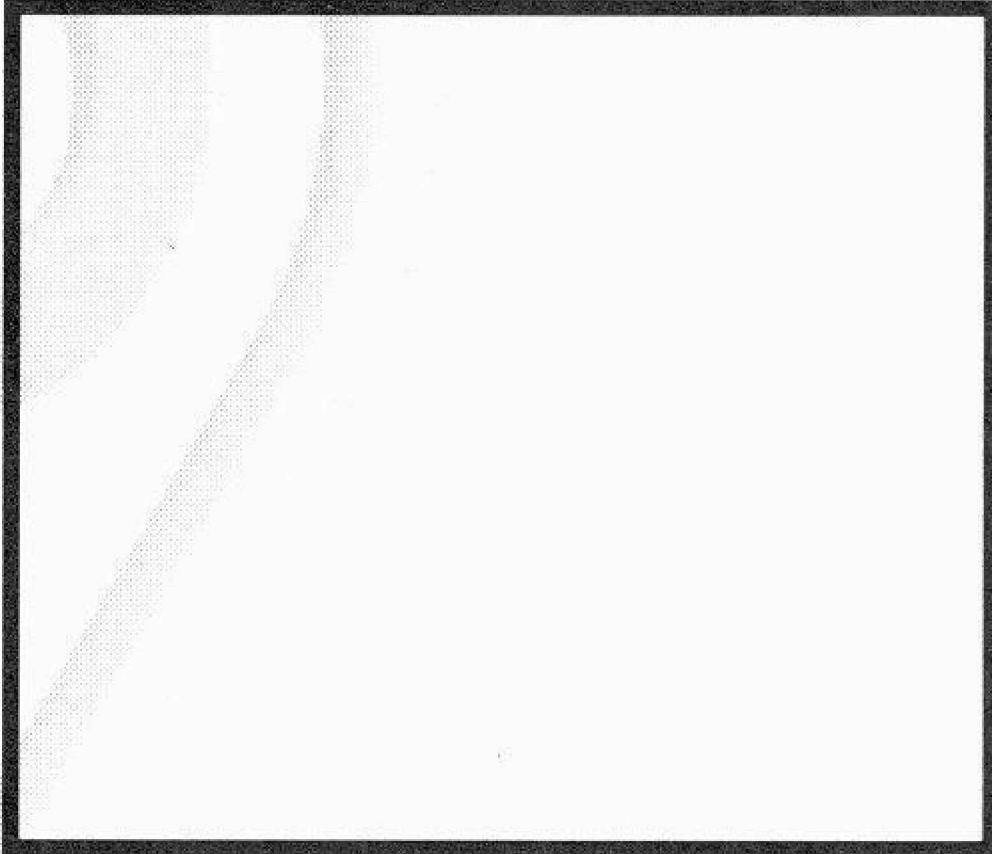
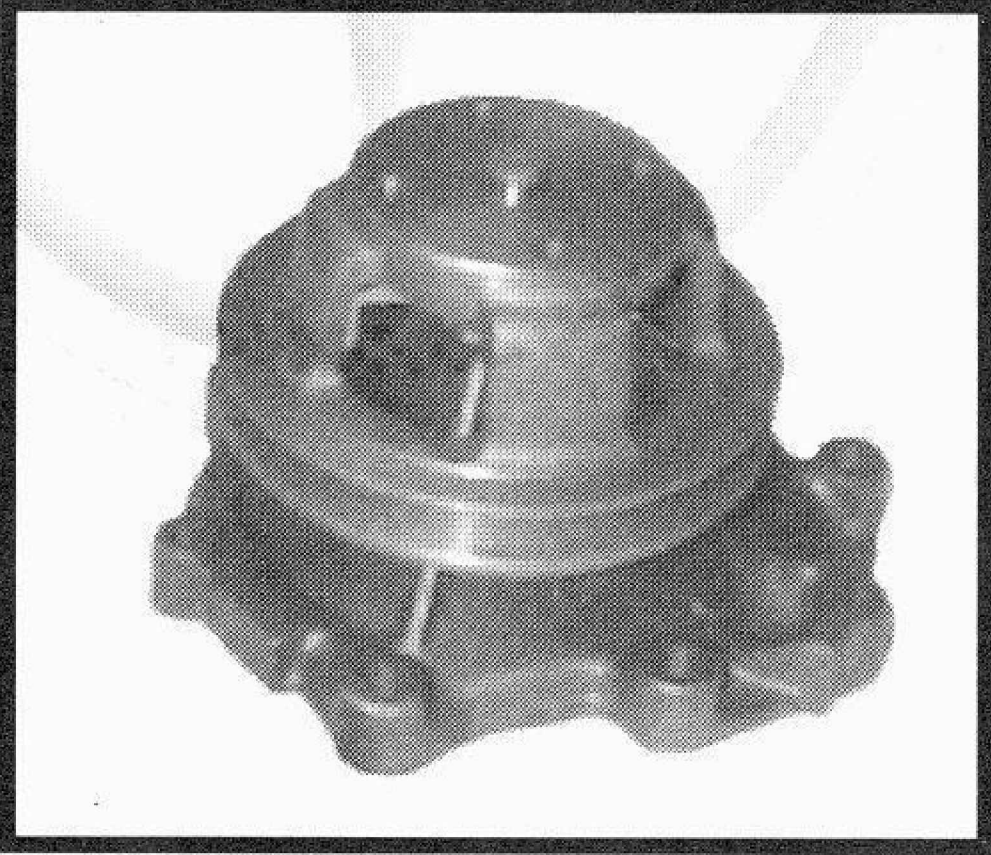
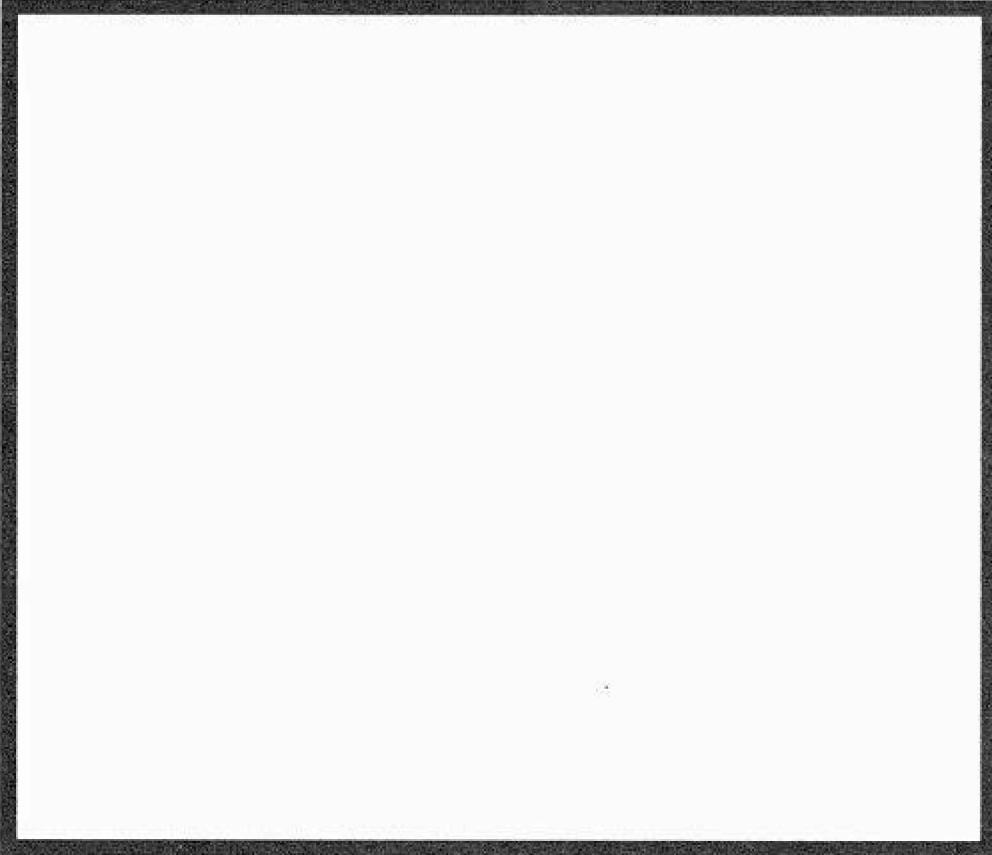
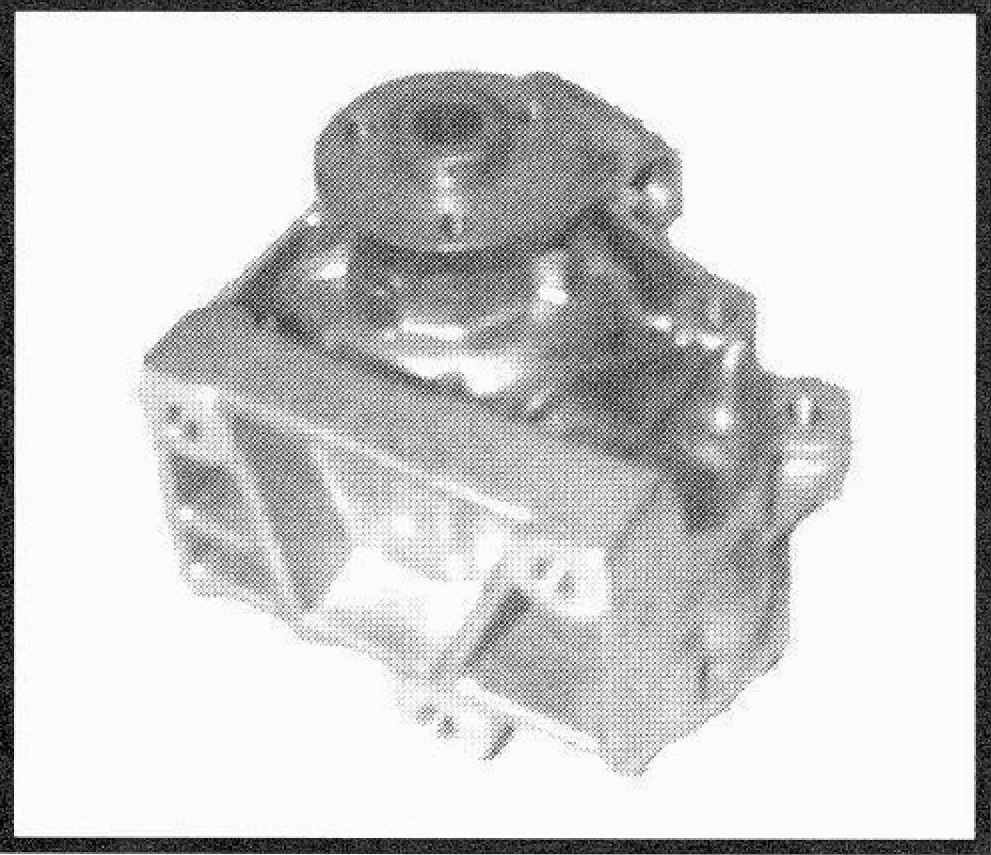
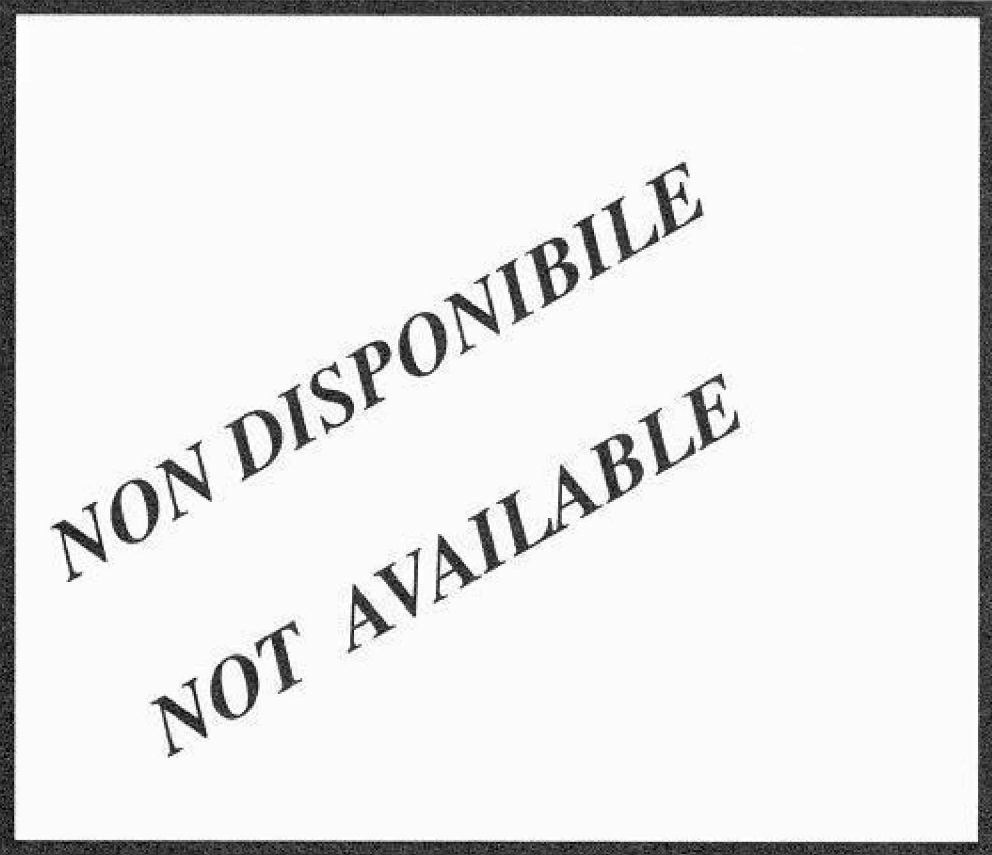
SUITABLE

MANITOU

Tel: +44(0)1925 850082 Fax: +(0)44 1925 850083

www.spwaterpumps.co.uk



TIPO O MODELLO TYPE OU MODELE TYPE OR MODEL	MOTORE MOTEUR ENGINE	POMPA ACQUA POMPE A EAU WATER PUMP OMP REF. / O.EM. REF	KIT RIPARAZIONE NECESSAIRE DE REP. REPAIR KIT OMP REF. / O.EM. REF
	D 239	351.010 128.681  CON GIRANTE / WITH IMPELLER Ø = 98 mm Albero cuscinetto / shaft bearing Ø = 38,1 mm	352.179 106.283  352.166 127.658
	D 239	351.000 128.682  CON GIRANTE / WITH IMPELLER Ø = 112 mm Albero cuscinetto / shaft bearing Ø = 38,1 mm	352.178 ---  352.166 127.658
	Ford 3 - 4 cyl.	354.087 G3919542 CON BASAMENTO / WITH BACKPLATE  354.088 137.764 SENZA BASAMENTO / WITHOUT BACKPLATE	352.149  girante / impeller Ø 104 mm premistoppa monoblocco / monbloc seal
	4 cyl. 2445 cc	356.185 132.440 	--- --- 

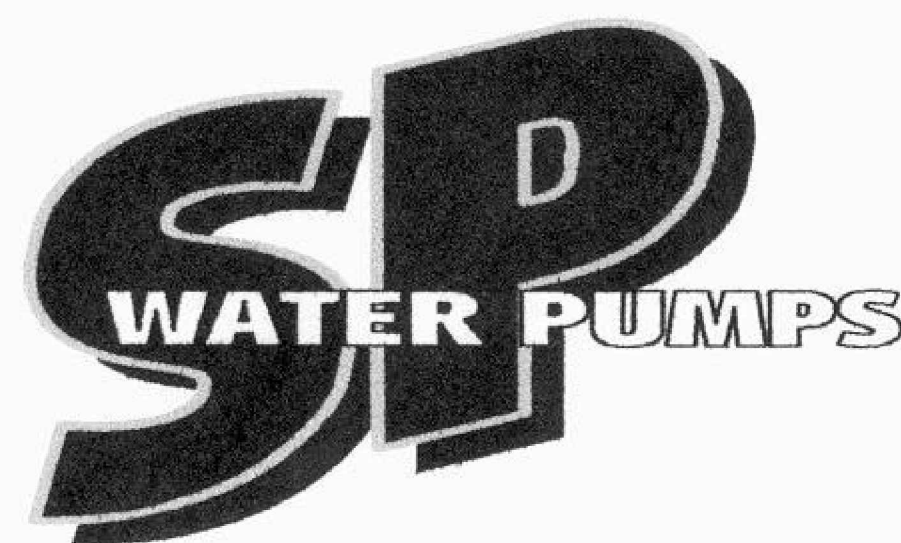
I ricambi non sono originali ma adattabili . Ogni riferimento originale é assolutamente indicativo .
 Spare parts are not original but perfectly suitable . Every original part number has to be considered for reference purpose only .

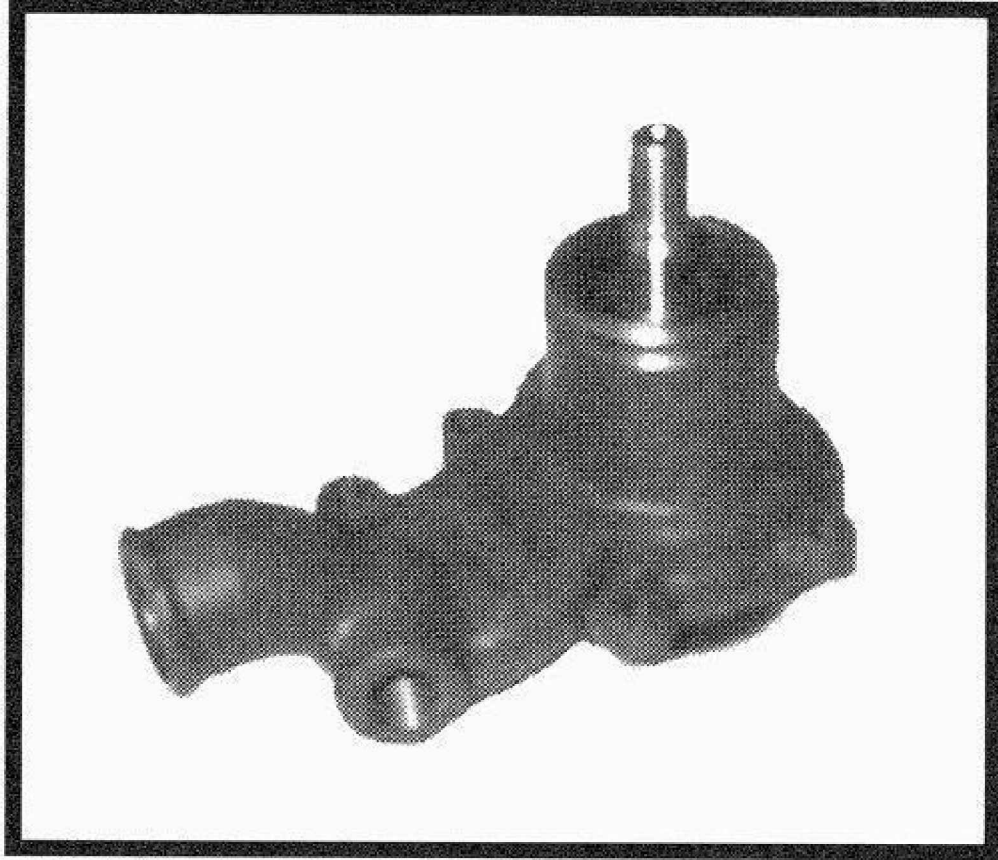
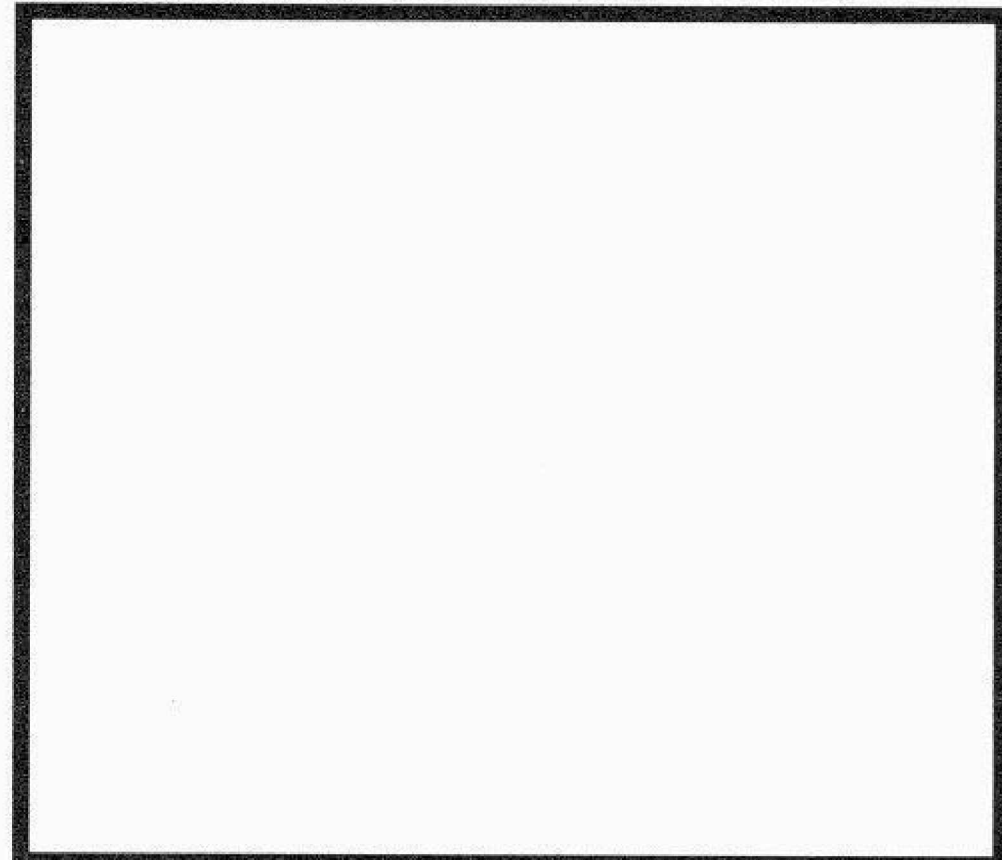
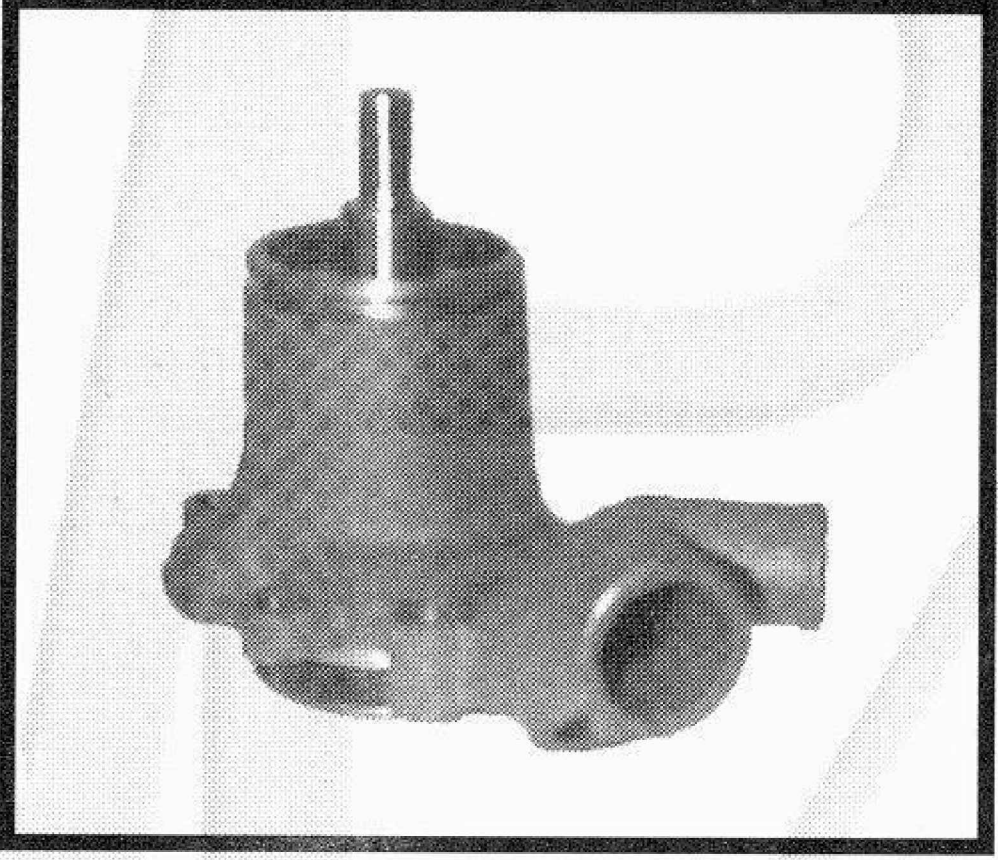
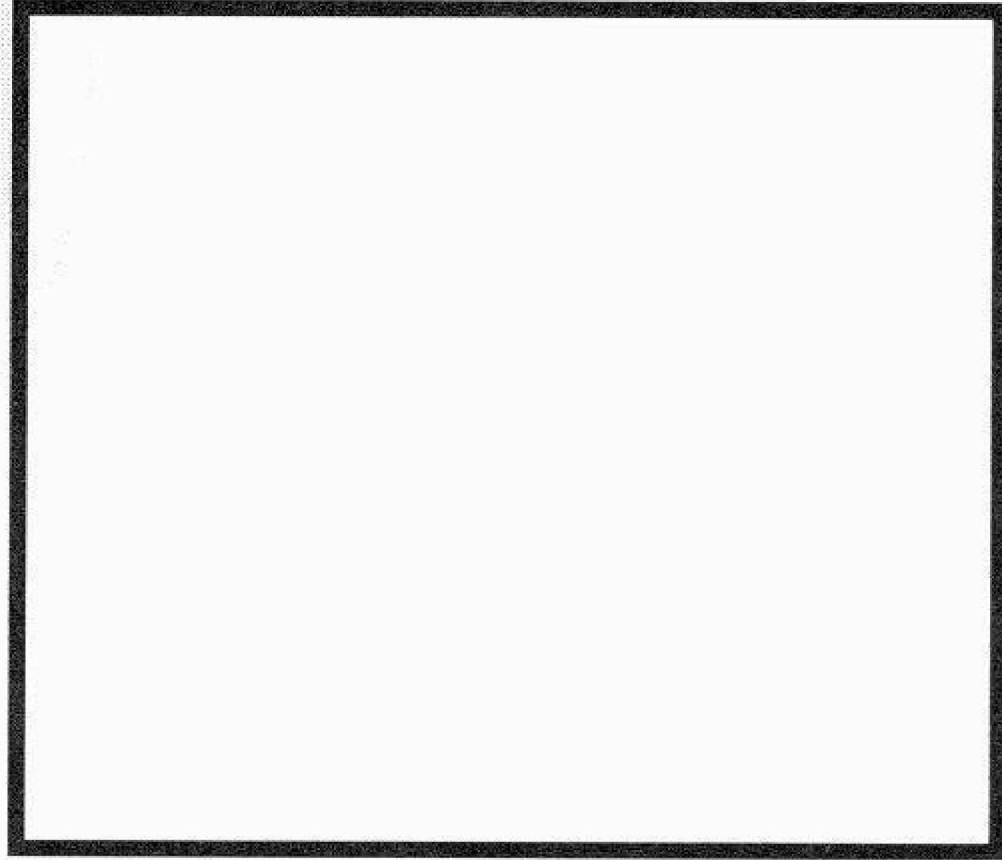
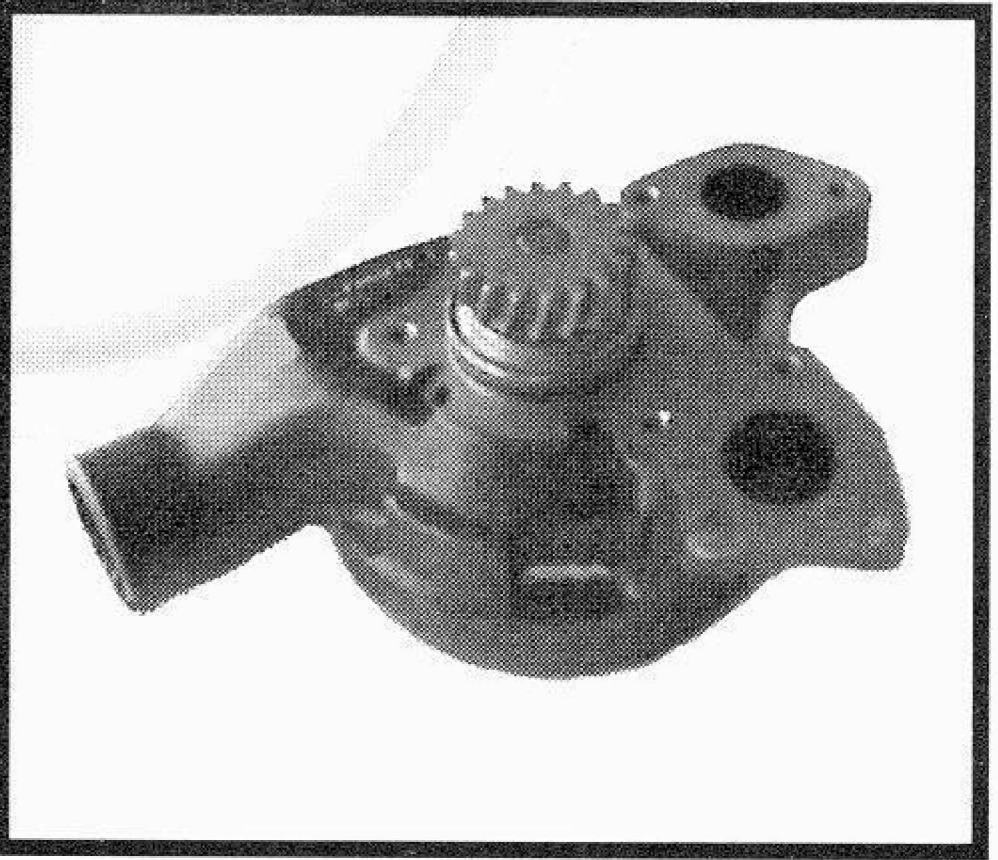
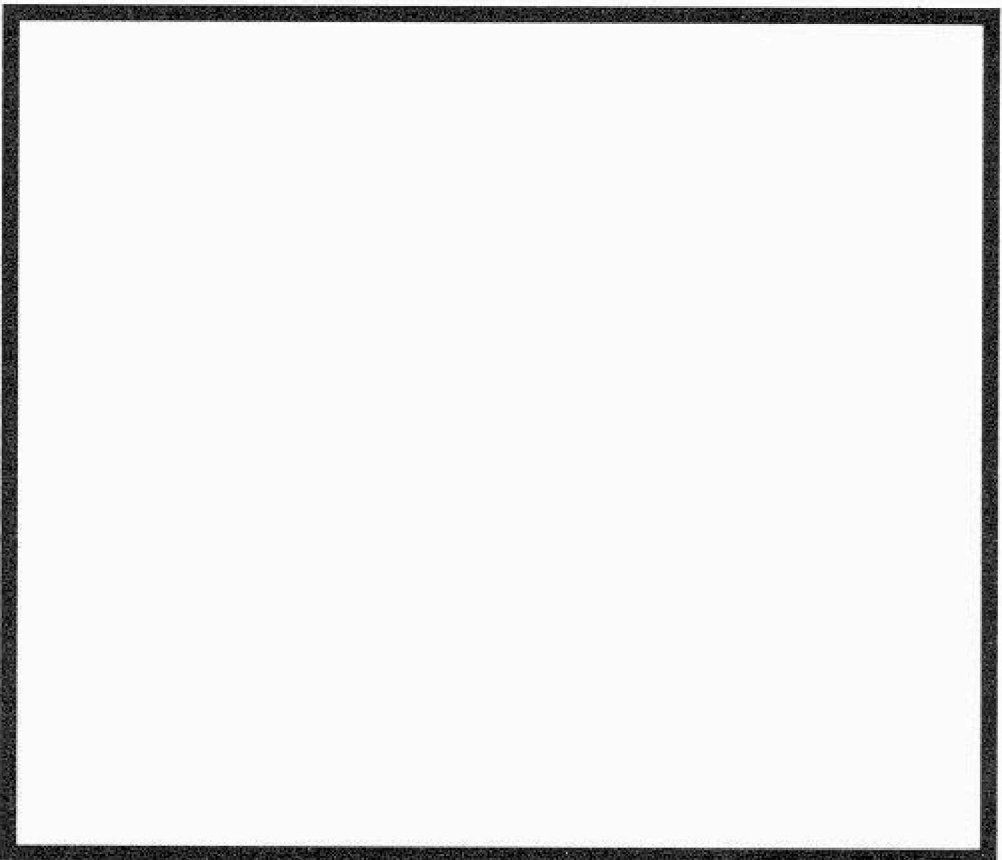
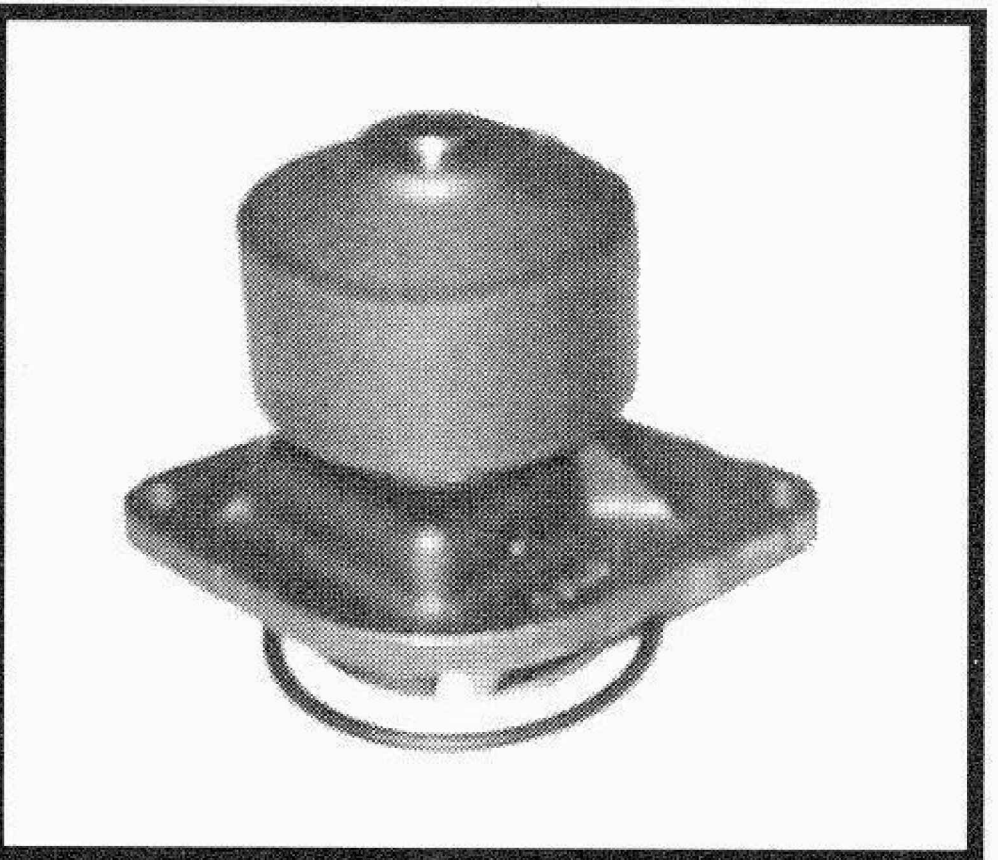
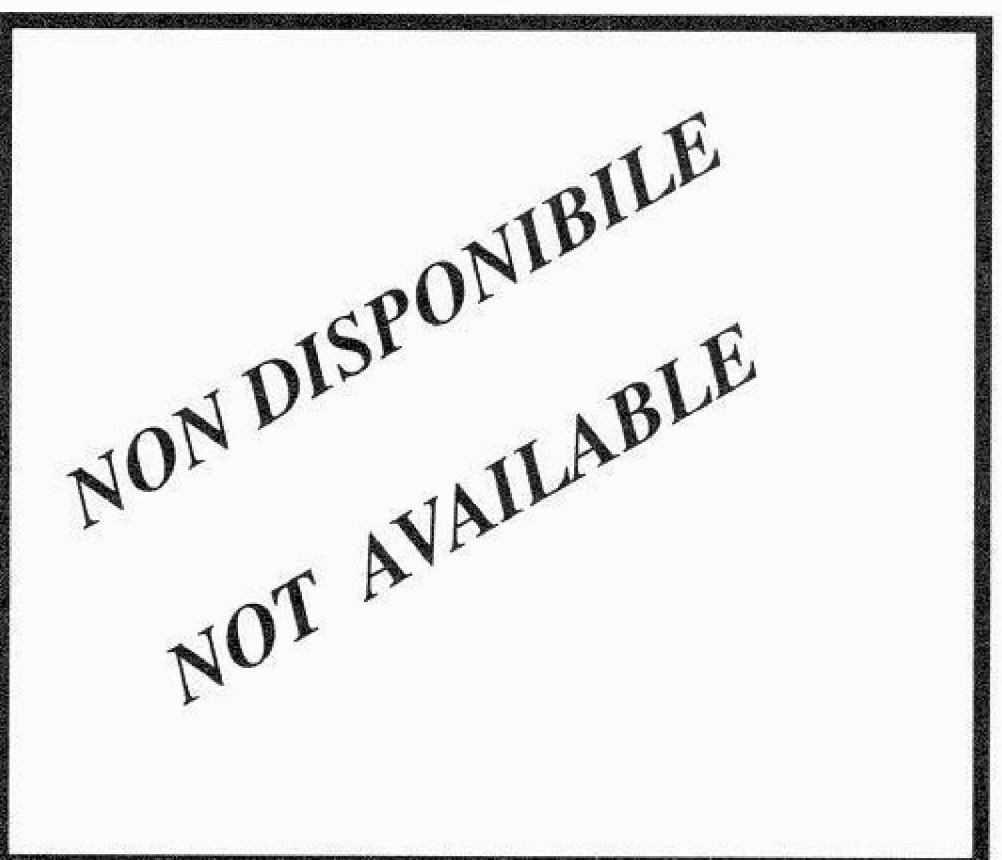
SUITABLE

MANITOU

Tel: +44(0)1925 850082 Fax: +(0)44 1925 850083

www.spwaterpumps.co.uk



TIPO O MODELLO TYPE OU MODELE TYPE OR MODEL	MOTORE MOTEUR ENGINE	POMPA ACQUA POMPE A EAU WATER PUMP OMP REF. / O.EM. REF	KIT RIPARAZIONE NECESSAIRE DE REP. REPAIR KIT OMP REF. / O.EM. REF
	A4.236 - A4.248	359.490 133.929 	352.183 133.597 
	T4.236 - T4.248	359.470 109.890 	352.255 --- 
MSI 40 - MSI 50 MC 30 MC 40 - MC 50 MC 60 T - MC 70 T M 26.2 - M 30.2 M 26.4 - M 30.4 M 40.4 - M 50.4 MA 460 - MA 470	1004.4	359.510 473.724 	352.260 --- 
	4 - 390 4T - 390 6 - 590 6T - 590 6TA - 590	1351.020 473.742 	

I ricambi non sono originali ma adattabili . Ogni riferimento originale é assolutamente indicativo .
 Spare parts are not original but perfectly suitable . Every original part number has to be considered for reference purpose only .