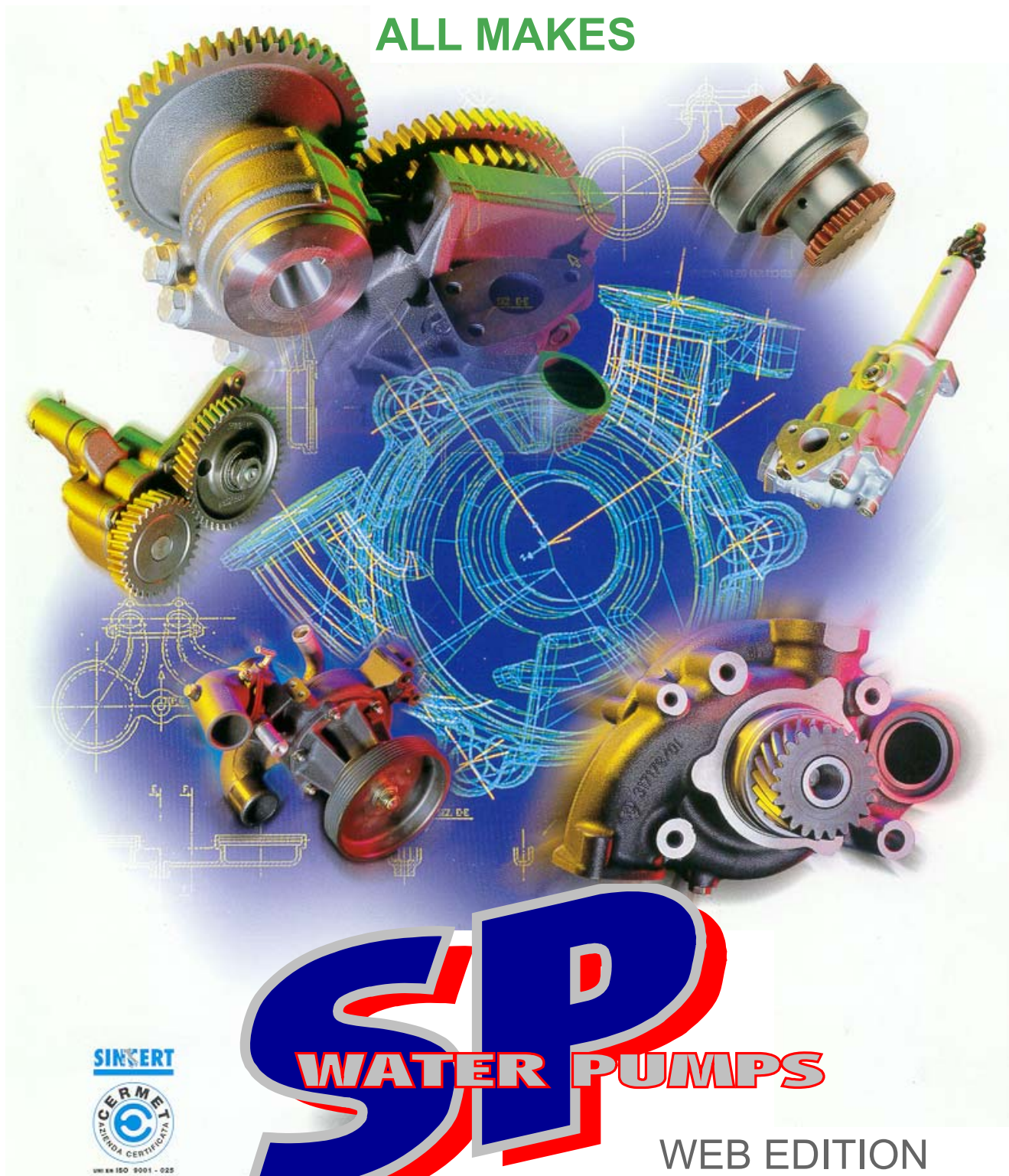


# WATER PUMP CATALOGUE LATEST EURO 6 APPLICATIONS

## ALL MAKES



SINERT



# SP

## WATER PUMPS

WEB EDITION

S.P. WATER PUMPS LTD  
6 Tatton Court, Kingsland Grange, Woolston,  
Warrington, Cheshire. ENGLAND. WA1 4RR  
TEL: +44(0)1925 850082 FAX: +44(0)1925 850083  
Email: [sales@spwaterpumps.co.uk](mailto:sales@spwaterpumps.co.uk) Web Site: [www.spwaterpumps.co.uk](http://www.spwaterpumps.co.uk)

# DAF Euro 6



Tel: +(0)44 1925 850082 Fax: +(0)44 1925 850083  
www.spwaterpumps.co.uk

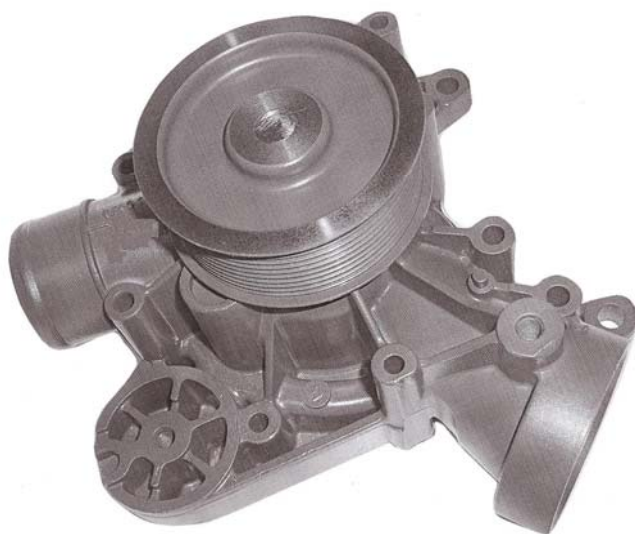
Part Number	Water Pump	Part Number	Water Pump
<b>Z405.301</b> CF, XF, MX13 EURO 6  1912939 1912939R 1917690 1945428 1953276 1956779 2042162R	Z405.301    113mm Impeller	<b>Z405.305</b> CF, XF, MX11 EURO 6  1912940 2042161 2042161R	Z405.305    106 mm Impeller
<b>Z405.308</b> CF, XF, MX13 EURO 6 Sensor Bracket 2104575 116 mm Impeller  <b>Z405.309</b> CF, XF, MX13 EURO 6 Sensor Bracket 2104579 113mm Impeller	Z405.308 SENSOR - 116 Imp    Z405.309 SENSOR - 113 Imp	<b>Z405.307</b> CF, XF, MX13 EURO 6 Sensor Bracket 2104580 1956781 1949546 1953398  106 mm Impeller	Z405.307    SENSOR - 106 Imp
<b>Z405.306</b> CF, XF, MX13 EURO 6  2104576 2003494  Sensor Bracket  FLANGE 116 mm Impeller	Z405.306    SENSOR - 116 Imp	<b>Z405.302</b> CF, XF, MX11 EURO 6 1922223 1934326 1979914 1979951 1993418 1995152 2104574R RIGHT Hand Connector 116mm Im[peller]	Z405.302    R/H 116 Impeller
<b>Z405.303</b> CF, XF, MX13 EURO 6  2104577  LEFT Hand Connector 113mm Im[peller]	Z405.303    L/H 113 Impeller	<b>Z405.304</b> CF, XF, MX13 EURO 6  2104578 1959749 1955243 1959590 2201247  LEFT Hand Connector 106 mm Im[peller]	Z405.304    L/H 106 Impeller



## PRODUCT INFORMATION

VOLVO BUS

<b>SP Ref</b>	SP1940
<b>OEM Ref</b>	85003894, 20834409, 20997647
<b>Application</b>	VOLVO B7R - EURO 4 DENNIS ELITE 2007 On
<b>Engine</b>	B7R EURO 4



**NOW AVAILABLE**

**6 Tatton Court, Kingsland Grange  
Woolston, Warrington  
Cheshire. ENGLAND WA1 4RR**

**TEL: +44 (0) 1925-850082  
FAX: +44 (0) 1925-850083**

Email: [sales@spwaterpumps.co.uk](mailto:sales@spwaterpumps.co.uk)

Web Site: [www.spwaterpumps.co.uk](http://www.spwaterpumps.co.uk)

### VOLVO

<b>SP Ref</b>	SP1960
<b>OEM Ref</b>	22107715, 85021779, 23552770, 23154956, 85021778, 85022484
<b>Application</b>	VOLVO B5 HYBRID DENNIS ELITE, DENNIS EAGLE 2014 Onwards
<b>Engine</b>	B5L HYBRID, FL, FE, B5LH, B5LAH



NOW AVAILABLE BRAND NEW

**6 Tatton Court, Kingsland Grange  
Woolston, Warrington  
Cheshire. ENGLAND WA1 4RR**

**TEL: +44 (0) 1925-850082  
FAX: +44 (0) 1925-850083**

Email: [sales@spwaterpumps.co.uk](mailto:sales@spwaterpumps.co.uk)

Web Site: [www.spwaterpumps.co.uk](http://www.spwaterpumps.co.uk)

# MERCEDES Euro 6

Tel: 01925 850082 Fax: 01925 850083  
www.spwaterpumps.co.uk



Part Number	Water Pump
<p><b>Z241.508</b></p> <p>MERCEDES ATEGO CITARO EURO 6 OM934 / OM936</p> <p>936 200 0701 936 200 1201 936 200 1601</p> <p>Pulley Diameter 137.5 mm</p> <p>IMPELLER 99 mm Diameter</p>	 <p><b>IMPELLER 99 mm Diameter</b></p>
<p><b>Z241.509</b></p> <p>MERCEDES ATEGO CITARO EURO 6 OM936 / OM936</p> <p>936 200 0801 936 200 1501</p> <p>Pulley Diameter 137.5 mm</p> <p>IMPELLER 87.5 mm Diameter</p>	 <p><b>IMPELLER 87.5 mm Diameter</b></p>
<p><b>Z241.510</b></p> <p>MERCEDES ATEGO CITARO EURO 6 OM936 / OM936 H</p> <p>936 200 0601 936 200 1301 936 200 1701</p> <p>Pulley Diameter 137.5 mm</p> <p>IMPELLER 101 mm Diameter</p>	 <p><b>IMPELLER 101 mm Diameter</b></p>

### MERCEDES

<b>SP Ref</b>	<b>Z241.998</b>
<b>OEM Ref</b>	4722000401 4722000001 4712000101
<b>Application</b>	MERCEDES OM470, OM471, OM472, OM473
<b>Engine</b>	EURO 6



**6 Tatton Court, Kingsland Grange  
Woolston, Warrington  
Cheshire. ENGLAND WA1 4RR**

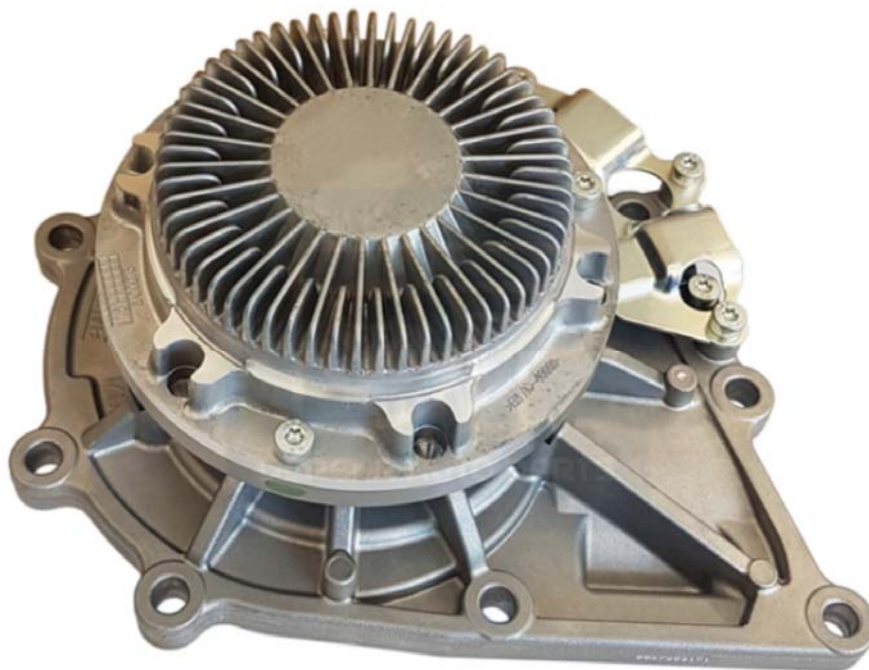
**TEL: +44 (0) 1925-850082  
FAX: +44 (0) 1925-850083**

Email: [sales@spwaterpumps.co.uk](mailto:sales@spwaterpumps.co.uk)

Web Site: [www.spwaterpumps.co.uk](http://www.spwaterpumps.co.uk)

### MERCEDES

<b>SP Ref</b>	<b>Z241.999</b>
<b>OEM Ref</b>	4712000401, 4712000901, 4722001601 4702000101, 4722000701, 4702000201 4702000101, 4722000201, 4722001101
<b>Application</b>	MERCEDES OM470, OM471, OM472, OM473
<b>Engine</b>	EURO 6 ELECTRO CLUTCH



**6 Tatton Court, Kingsland Grange  
Woolston, Warrington  
Cheshire. ENGLAND WA1 4RR**

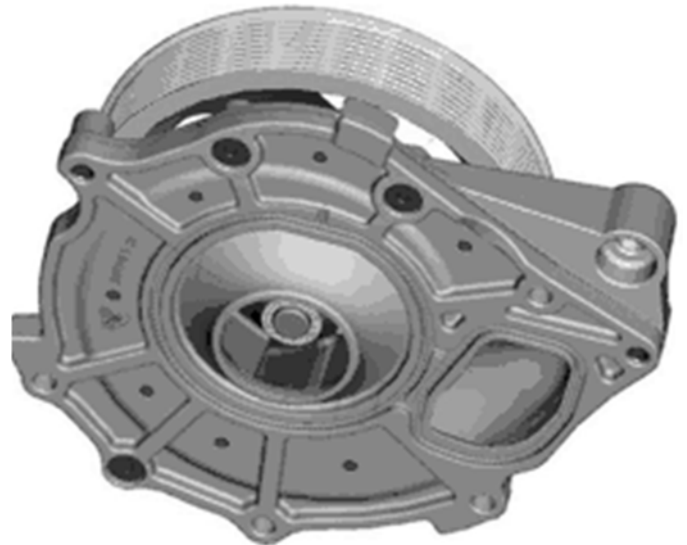
**TEL: +44 (0) 1925-850082  
FAX: +44 (0) 1925-850083**

Email: [sales@spwaterpumps.co.uk](mailto:sales@spwaterpumps.co.uk)

Web Site: [www.spwaterpumps.co.uk](http://www.spwaterpumps.co.uk)

### SCANIA

<b>SP Ref</b>	Z295.190
<b>OEM Ref</b>	1778923, 570193, 1778923, 570193
<b>Application</b>	SCANIA R Series EURO 5 - R Srs
<b>Engine</b>	12,700 cc - 6 Cyl DSC13, R400, R440, R480



**6 Tatton Court, Kingsland Grange  
Woolston, Warrington  
Cheshire. ENGLAND WA1 4RR**

**TEL: +44 (0) 1925-850082  
FAX: +44 (0) 1925-850083**

Email: [sales@spwaterpumps.co.uk](mailto:sales@spwaterpumps.co.uk)

Web Site: [www.spwaterpumps.co.uk](http://www.spwaterpumps.co.uk)



### SCANIA

<b>SP Ref</b>	Z295.200
<b>OEM Ref</b>	1793653, 571244
<b>Application</b>	SCANIA 16 Litre EURO 6 R730 DC16 XPI, 2014 on Scania EGR and SCR
<b>Engine</b>	16 litre V8, EURO 6 DC16 XPI



**6 Tatton Court, Kingsland Grange  
Woolston, Warrington  
Cheshire. ENGLAND WA1 4RR**

**TEL: +44 (0) 1925-850082  
FAX: +44 (0) 1925-850083**

Email: [sales@spwaterpumps.co.uk](mailto:sales@spwaterpumps.co.uk)

Web Site: [www.spwaterpumps.co.uk](http://www.spwaterpumps.co.uk)

### SCANIA

<b>SP Ref</b>	Z295.400
<b>OEM Ref</b>	571244
<b>Application</b>	SCANIA DC16 EURO 6 DC16 XPI Scania
<b>Engine</b>	16 litre V8, EURO 6 DC16 XPI



**6 Tatton Court, Kingsland Grange  
Woolston, Warrington  
Cheshire. ENGLAND WA1 4RR**

**TEL: +44 (0) 1925-850082  
FAX: +44 (0) 1925-850083**

Email: [sales@spwaterpumps.co.uk](mailto:sales@spwaterpumps.co.uk)

Web Site: [www.spwaterpumps.co.uk](http://www.spwaterpumps.co.uk)

### SCANIA

<b>SP Ref</b>	Z295.402
<b>OEM Ref</b>	2714201, 2370981
<b>Application</b>	SCANIA EURO 6 L.P.G.R.S—R520, R580, S730, S650
<b>Engine</b>	16 litre V8, EURO 6 Fitted with Silicon Clutch Pulley



**6 Tatton Court, Kingsland Grange  
Woolston, Warrington  
Cheshire. ENGLAND WA1 4RR**

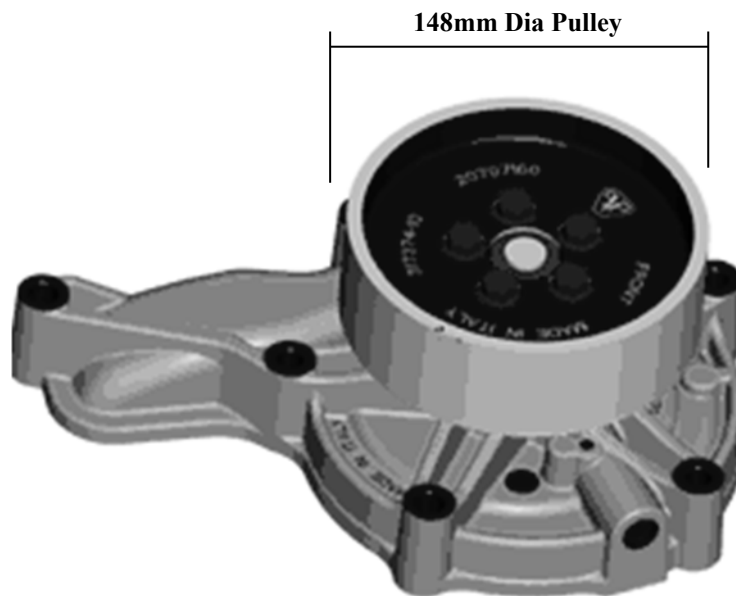
**TEL: +44 (0) 1925-850082  
FAX: +44 (0) 1925-850083**

Email: [sales@spwaterpumps.co.uk](mailto:sales@spwaterpumps.co.uk)

Web Site: [www.spwaterpumps.co.uk](http://www.spwaterpumps.co.uk)

## VOLVO

<b>SP Ref</b>	Z317.370 SP1945
<b>OEM Ref</b>	85000062, 20538845, 3161436, 85000486 20744939
<b>Application</b>	FM9, FM300, FM340, FM380, FM400, FM440, FM480 FH400, FH440, FH480, FH520 B9, FH16
<b>Engine</b>	D9 6Cyl 9,364cc, D13 6Cyl 12,777cc, D16 6Cyl 16,123cc Fitted With 148mm Diameter Pulley



**6 Tatton Court, Kingsland Grange  
Woolston, Warrington  
Cheshire. ENGLAND WA1 4RR**

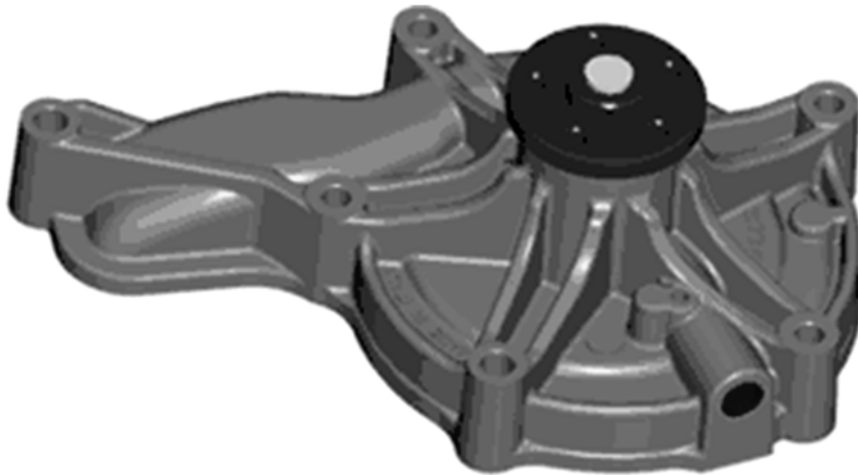
**TEL: +44 (0) 1925-850082  
FAX: +44 (0) 1925-850083**

Email: [sales@spwaterpumps.co.uk](mailto:sales@spwaterpumps.co.uk)

Web Site: [www.spwaterpumps.co.uk](http://www.spwaterpumps.co.uk)

### VOLVO

<b>SP Ref</b>	Z317.380 SP1944
<b>OEM Ref</b>	85000062, 20538845, 3161436, 85000486 20744939
<b>Application</b>	FM9, FM300, FM340, FM380, FM400, FM440, FM480 FH400, FH440, FH480, FH520 B9, FH16
<b>Engine</b>	D9 6Cyl 9,364cc, D13 6Cyl 12,777cc, D16 6Cyl 16,123cc



**6 Tatton Court, Kingsland Grange  
Woolston, Warrington  
Cheshire. ENGLAND WA1 4RR**

**TEL: +44 (0) 1925-850082  
FAX: +44 (0) 1925-850083**

Email: [sales@spwaterpumps.co.uk](mailto:sales@spwaterpumps.co.uk)

Web Site: [www.spwaterpumps.co.uk](http://www.spwaterpumps.co.uk)



# PRODUCT INFORMATION

VOLVO / RENAULT

<b>SP Ref</b>	Z317.392
<b>OEM Ref</b>	21648716, 21072414, 21969188, 21974078 7421072414, 7421969188, 7421974078
<b>Application</b>	FM9 + 148 mm Electro Magnetic Pulley Volvo - FM9, Renault - Kerax, Magnum, Premium
<b>Engine</b>	D9 6Cyl 9,364cc, D13 6Cyl 12,777cc, D16 6Cyl 16,123cc DXi 13



**6 Tatton Court, Kingsland Grange  
Woolston, Warrington  
Cheshire. ENGLAND WA1 4RR**

**TEL: +44 (0) 1925-850082  
FAX: +44 (0) 1925-850083**

Email: [sales@spwaterpumps.co.uk](mailto:sales@spwaterpumps.co.uk)

Web Site: [www.spwaterpumps.co.uk](http://www.spwaterpumps.co.uk)

### VOLVO / RENAULT

<b>SP Ref</b>	Z317.394
<b>OEM Ref</b>	21030340, 21648708, 21960479, 21969183 85000956, 85013056, 85013425, 85013466
<b>Application</b>	FM9 + 155 mm Shallow Electro Magnetic Pulley Volvo - D13C VOLVO FH, FM
<b>Engine</b>	D13C



**6 Tatton Court, Kingsland Grange  
Woolston, Warrington  
Cheshire. ENGLAND WA1 4RR**

**TEL: +44 (0) 1925-850082  
FAX: +44 (0) 1925-850083**

Email: [sales@spwaterpumps.co.uk](mailto:sales@spwaterpumps.co.uk)

Web Site: [www.spwaterpumps.co.uk](http://www.spwaterpumps.co.uk)

### VOLVO BUS

<b>SP Ref</b>	Z317.420
<b>OEM Ref</b>	85000657, 85000337, 85000412, 85000476, 85000657 20879114, 20755669, 20592629, 20568564, 1549941
<b>Application</b>	VOLVO BUS - B12, B12B, B12M
<b>Engine</b>	DH 12D 6 CYL 12 Ltr



**6 Tatton Court, Kingsland Grange  
Woolston, Warrington  
Cheshire. ENGLAND WA1 4RR**

**TEL: +44 (0) 1925-850082  
FAX: +44 (0) 1925-850083**

Email: [sales@spwaterpumps.co.uk](mailto:sales@spwaterpumps.co.uk)

Web Site: [www.spwaterpumps.co.uk](http://www.spwaterpumps.co.uk)



MAN

<b>SP Ref</b>	Z343.490
<b>OEM Ref</b>	51065007131, 51065007119 51065009131, 4057795476387
<b>Application</b>	MAN EURO 6 TGS, TGX Fitted with Silicon Clutch Pulley
<b>Engine</b>	<b>TGS, TGX Euro 6</b>



**6 Tatton Court, Kingsland Grange  
Woolston, Warrington  
Cheshire. ENGLAND WA1 4RR**

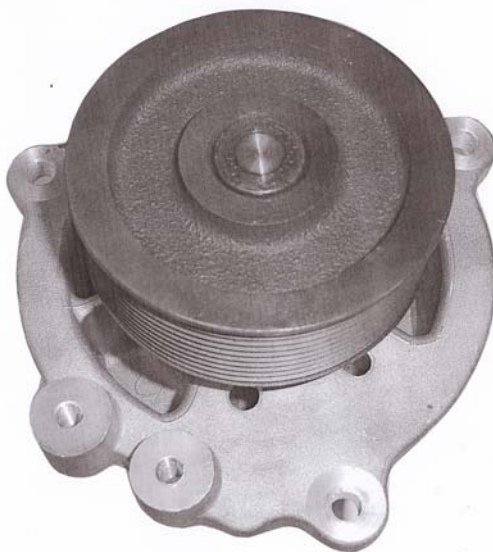
**TEL: +44 (0) 1925-850082  
FAX: +44 (0) 1925-850083**

Email: [sales@spwaterpumps.co.uk](mailto:sales@spwaterpumps.co.uk)

Web Site: [www.spwaterpumps.co.uk](http://www.spwaterpumps.co.uk)

DAF

<b>SP Ref</b>	Z405.125, SP1327
<b>OEM Ref</b>	1778280, 1747963, 10078102, 1828162 <small>Original Manufacturers name and part numbers are quoted for reference purposes only and are not intended to indicate or suggest that the replacement parts are made by the original equipment manufacturer</small>
<b>Application</b>	DAF XF105 12.9 LITRE EURO 4, EURO 5 - 2006 Onwards
<b>Engine</b>	MX300, MX340, MX375,



**6 Tatton Court, Kingsland Grange  
Woolston, Warrington  
Cheshire. ENGLAND WA1 4RR**

**TEL: +44 (0) 1925-850082  
FAX: +44 (0) 1925-850083**

Email: [sales@spwaterpumps.co.uk](mailto:sales@spwaterpumps.co.uk)

Web Site: [www.spwaterpumps.co.uk](http://www.spwaterpumps.co.uk)



# PRODUCT INFORMATION

## DAF EURO 6

<b>SP Ref</b>	Z405.312
<b>OEM Ref</b>	2184202, 2126304, 2137202  <small>Original Manufacturers name and part numbers are quoted for reference purposes only and are not intended to indicate or suggest that the replacement parts are made by the original equipment manufacturer</small>
<b>Application</b>	DAF EURO 6 Second Generation CF, XF - Multi Stage Electro Magnetic Pulley Fitted with Electro Magnetic Pulley
<b>Engine</b>	MX 13 Fitted with 118mm Impeller



**NOW AVAILABLE**

**6 Tatton Court, Kingsland Grange  
Woolston, Warrington  
Cheshire. ENGLAND WA1 4RR**

**TEL: +44 (0) 1925-850082  
FAX: +44 (0) 1925-850083**

Email: [sales@spwaterpumps.co.uk](mailto:sales@spwaterpumps.co.uk)

Web Site: [www.spwaterpumps.co.uk](http://www.spwaterpumps.co.uk)

### DAF EURO 6

<b>SP Ref</b>	Z405.313
<b>OEM Ref</b>	2184200 <small>Original Manufacturers name and part numbers are quoted for reference purposes only and are not intended to indicate or suggest that the replacement parts are made by the original equipment manufacturer</small>
<b>Application</b>	DAF EURO 6 Second Generation CF, XF - Fitted with Fixed Dome Pulley
<b>Engine</b>	MX 13 Fitted with 120mm Impeller



**NOW AVAILABLE**

**6 Tatton Court, Kingsland Grange  
Woolston, Warrington  
Cheshire. ENGLAND WA1 4RR**

**TEL: +44 (0) 1925-850082  
FAX: +44 (0) 1925-850083**

Email: [sales@spwaterpumps.co.uk](mailto:sales@spwaterpumps.co.uk)

Web Site: [www.spwaterpumps.co.uk](http://www.spwaterpumps.co.uk)



# PRODUCT INFORMATION

## DAF EURO 6

<b>SP Ref</b>	Z405.314
<b>OEM Ref</b>	2137201, 2184198R, 2267059R <small>Original Manufacturers name and part numbers are quoted for reference purposes only and are not intended to indicate or suggest that the replacement parts are made by the original equipment manufacturer</small>
<b>Application</b>	DAF EURO 6 Second Generation CF, XF - Multi Stage Electro Magnetic Pulley Fitted with Electro Magnetic Pulley
<b>Engine</b>	MX 11 Fitted with 120mm Impeller



**NOW AVAILABLE**

**6 Tatton Court, Kingsland Grange  
Woolston, Warrington  
Cheshire. ENGLAND WA1 4RR**

**TEL: +44 (0) 1925-850082  
FAX: +44 (0) 1925-850083**

Email: [sales@spwaterpumps.co.uk](mailto:sales@spwaterpumps.co.uk)

Web Site: [www.spwaterpumps.co.uk](http://www.spwaterpumps.co.uk)

## CUMMINS ISF

<b>SP Ref</b>	Z451.022
<b>OEM Ref</b>	5257960 5269784
<b>Application</b>	CUMMINS EURO 6 ISF 2.8 LTR
<b>Engine</b>	ISF 2.8 LTR



<b>SP Ref</b>	Z451.023
<b>OEM Ref</b>	5288908 5333035 5314728
<b>Application</b>	CUMMINS EURO 6 ISF 3.8 LTR
<b>Engine</b>	ISF 3.8 LTR



92mm Impeller

NOW AVAILABLE BRAND NEW

**6 Tatton Court, Kingsland Grange  
Woolston, Warrington  
Cheshire. ENGLAND WA1 4RR**

**TEL: +44 (0) 1925-850082  
FAX: +44 (0) 1925-850083**

Email: [sales@spwaterpumps.co.uk](mailto:sales@spwaterpumps.co.uk)

Web Site: [www.spwaterpumps.co.uk](http://www.spwaterpumps.co.uk)